

YOKOGAWA 

AUTO PILOT PT9000



Yokogawa Denshikiki Co., Ltd.

PT900 : An adaptable Autopilot which eliminates unnecessary steering for optimal steering.

PT900 fully conforms to the technical requirements below,
and improves on economical efficiency, safety, usability, and extensibility.

This Autopilot can be adapted from small vessels to large vessels.

Conformity standards

IMO Resolution A.342(IX), A.694(17) and 64(67) Annex 3 & 191(79)

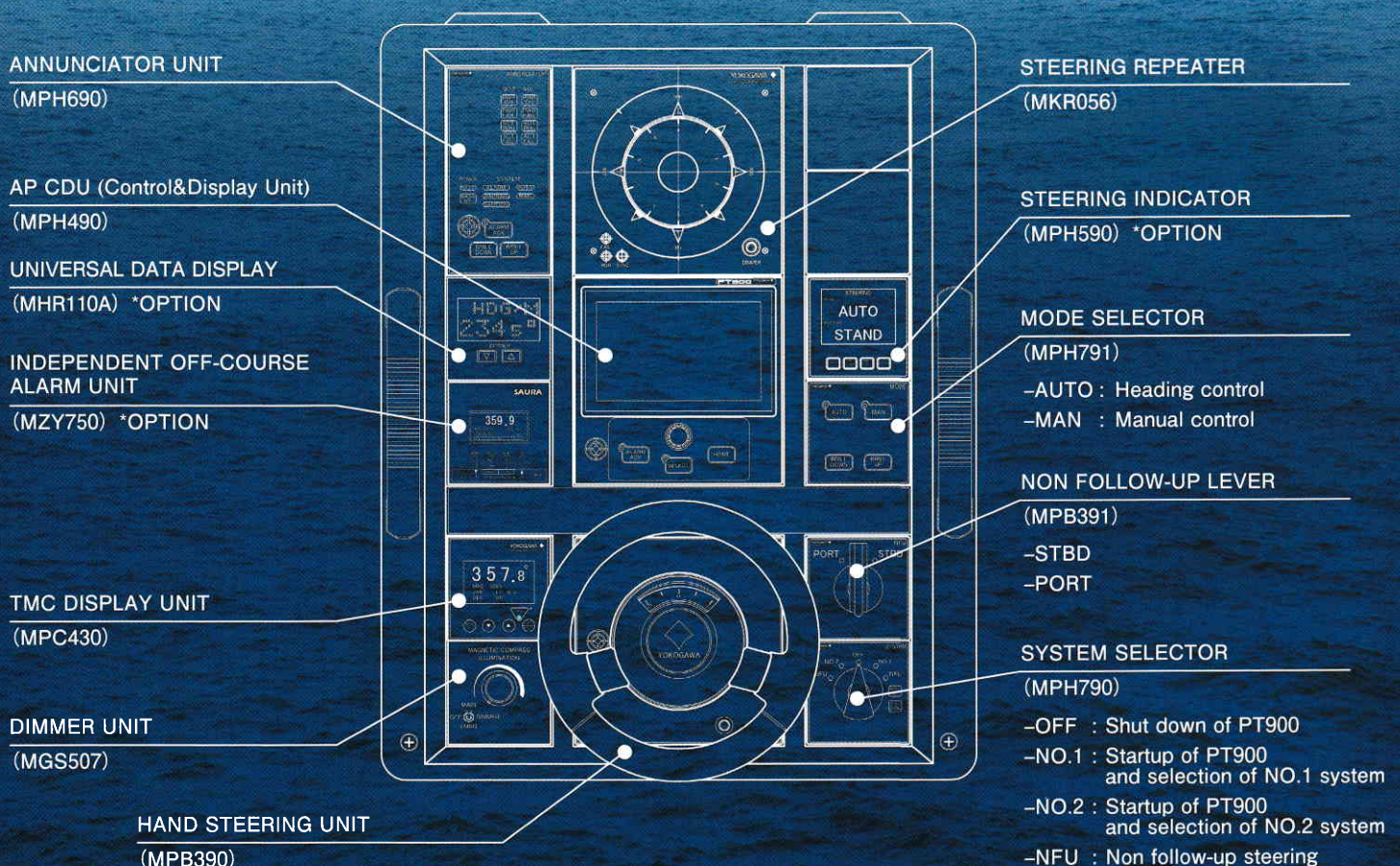
ISO 11674(2006), IEC 60945(2002)

IEC 61162-1(2010), IEC61162-2(1998)

IEC 62288(2014)

AUTO PILOT PT900

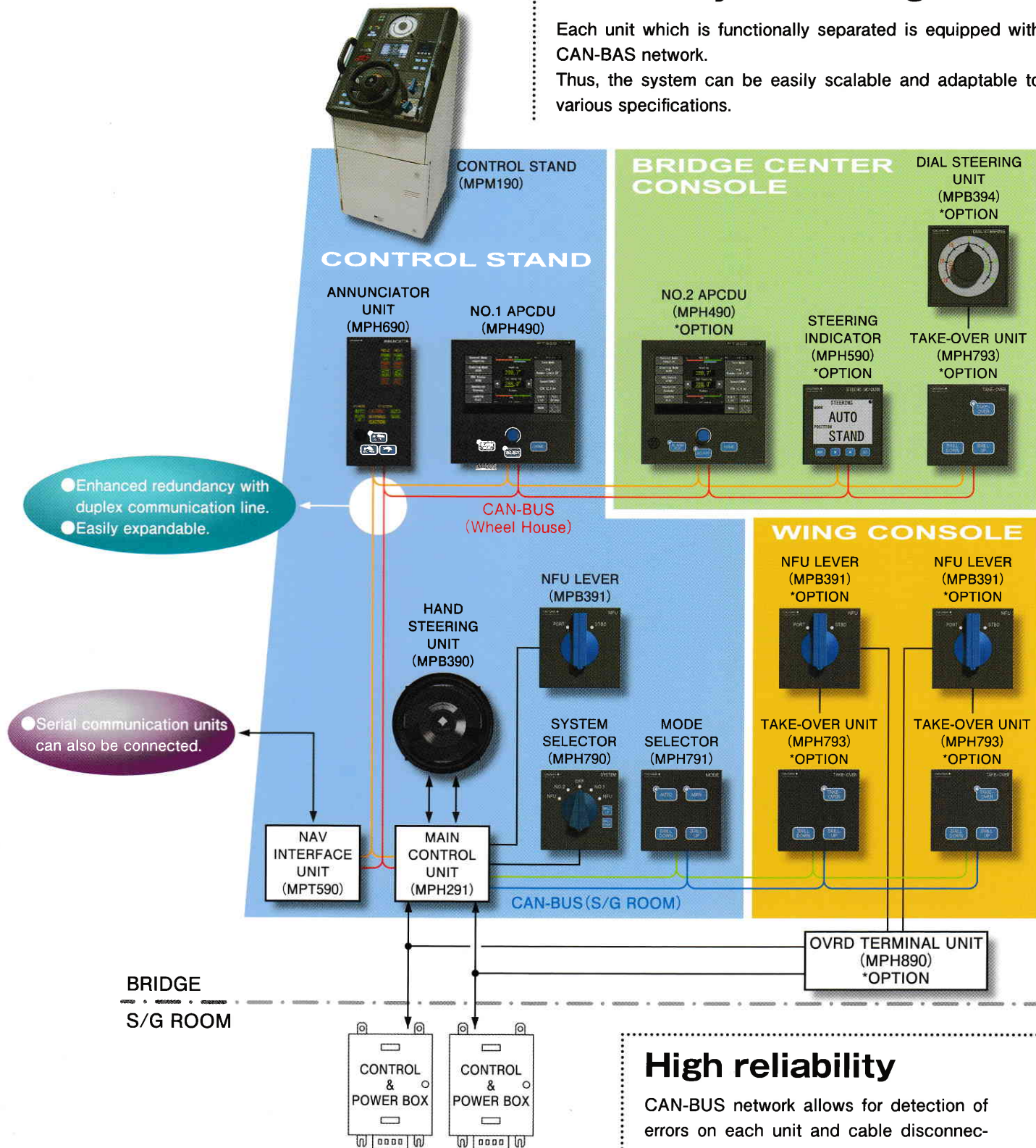
CONTROL STAND UPPER PANEL



Flexible system configuration

Each unit which is functionally separated is equipped with CAN-BAS network.

Thus, the system can be easily scalable and adaptable to various specifications.



High reliability

CAN-BUS network allows for detection of errors on each unit and cable disconnection between units.

Various optional units

PT900 offers various kinds of optional units to meet customer's requests.

- DIAL STEERING UNIT (MPB394)
- STEERING INDICATOR (MPH590)
- STEERING ANGLE INDICATOR (MPH591)
- STEERING ANGLE SELECTOR (MPH792)
- TAKE-OVER UNIT (MPH793)
- FU OVERRIDE OPERATION UNIT (MPH794)
- NFU OVRD OPERATION UNIT (MPH795)
- ANALOG I/F UNIT (MPT490)

7 inch color display

- High visibility
- User-friendly screen layout
- Constant display of main data

Touch panel screen

- Enhanced man-machine interface
- Intuitive operation

Control mode

- Adaptive
- PID

Steering mode

- AUTO · MAN · CRS
- TRACK · NFU

Selected compass

- GYRO
- MAG · THD

OPERATION mode

- Economy
- Precision1
- Precision2

DRAFT mode

- Full
- Middle
- Ballast

Heading

- Tape repeater indication is available.
- Course indication helps to easily recognize the heading deviation.

Rate Of Turn

The indication pattern depends on the steering mode

AUTO/TRACK/CRS : Heading deviation
 CRS : Course deviation
 MAN/NFU : Rate Of Turn

Control Mode Adaptive

Steering Mode AUTO

HDG Source GYRO

Operation Economy

Loading Full

Turn Mode P-D Rudder Limit 20°

Speed (SDME) STW 12.5 kn

Alert List

Full Screen

MENU

HOME Key
Return to HOME screen

SELECT Key
Select this unit. Pressing the key when set heading can be changed, transfers current Gyrocompass heading into the set heading display.

Course setting dial
Changes the set heading/course

Alert ack Key
Stops the buzzer in the event of an alert and allows the alert item to be acknowledged

Turn mode

Speed

Alert button

Full Screen button

MENU button

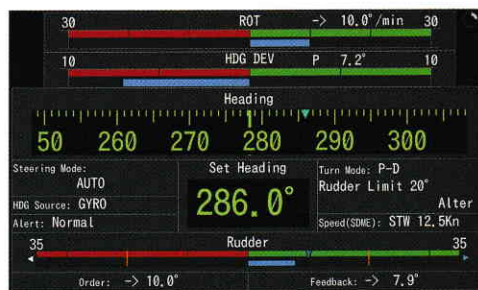
Display mode

Rudder angle
• Order and feedback rudders angle are indicated on here.

Guidance area
• Guidance is indicated here while the particular alerts appear.

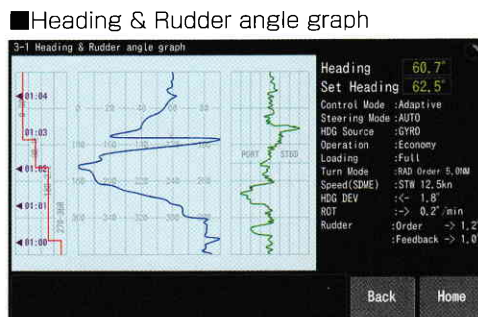
Full screen mode

Can be used as Mini conning display by enlarging necessary data.



Various display (for PT900A)

Ship's heading and actual rudder can be displayed for 60 mins. Autopilot controllability can be checked easily.



Alert display and logging function

By displaying the alerts in a list, the status of alerts can be checked.

Past alerts can be checked on Alert Log screen (UP to 1000 factors can be recorded)



Description

Alert No and alert category

Alert category icon

Time

System data at the time of alert

System data at the time of alert can be checked by touching the alert on Alert Log screen.

By touching "Prev Page" or "Nex Page," the data can be checked per second up to previous 90 days back.



Time

System data

Preview page Key

Next page Key



Screen color tone and central dimmer control

By touching the screen color icon, the color tone can be changed between 3 types : Day, Dusk and Night.

Also, central dimmer allows to changing the brightness of all units, simultaneously.



Day



Dusk



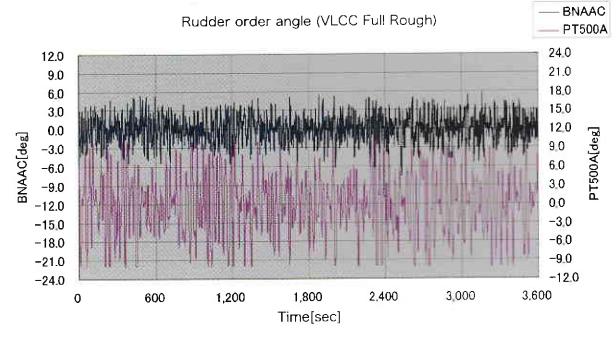
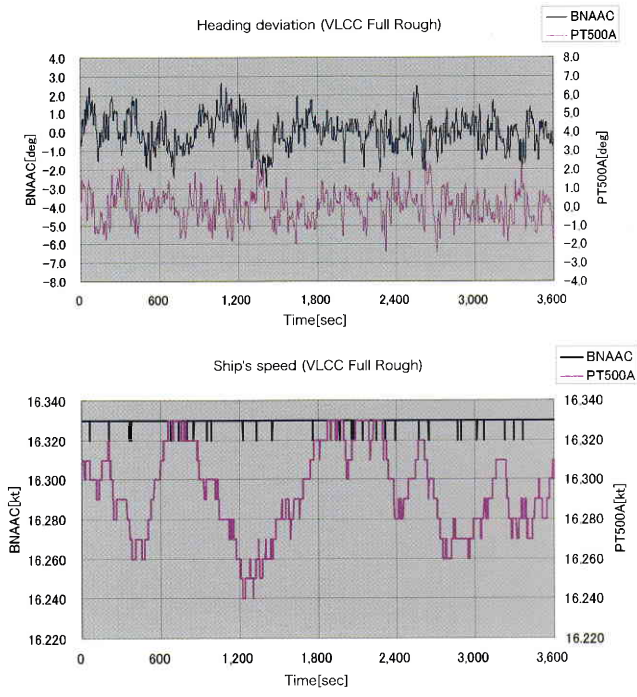
Night



PT900 fuel saving function

Batch Noise Adaptive Autopilot Controller (BNAAC)

BNAAC is an energy saving Autopilot which adopts modern control theory. The optimal rudder angle can be updated automatically by the disturbance around the ship on straight leg.

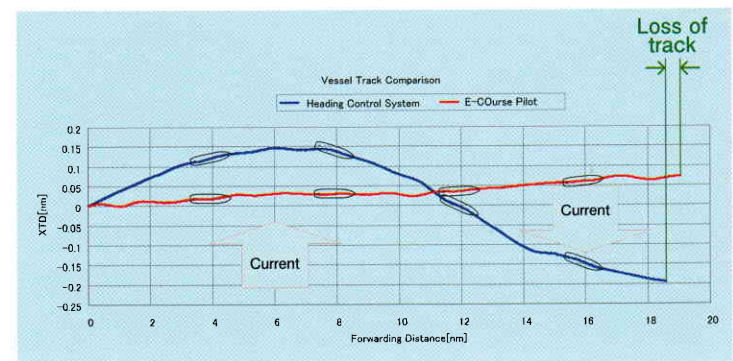
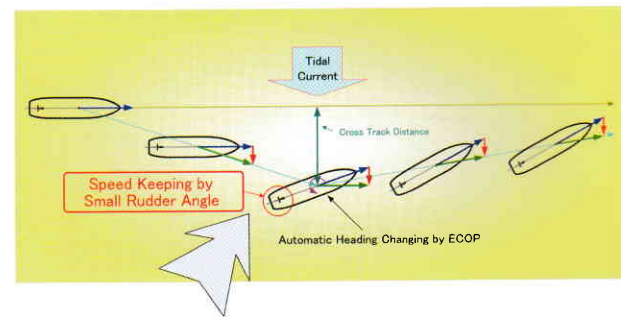
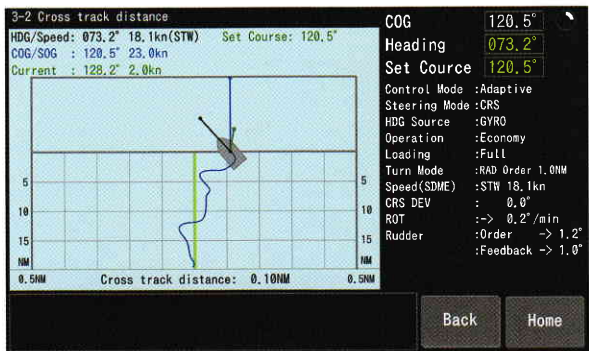


BNAAC has achieved course keeping equal to conventional model AutoPilot (PT500A) by an amount of the steer which is 60% less. There was a difference with the improvement rate of ship's speed and fuel consumption compared with PT500A.

Ship's Type	Draught	Improvement Rate [%]			
		Rudder Angle	Deviation	Ship's Speed	Fuel Consumption
VLCC	Full	60.89	-1.08	0.203	0.61

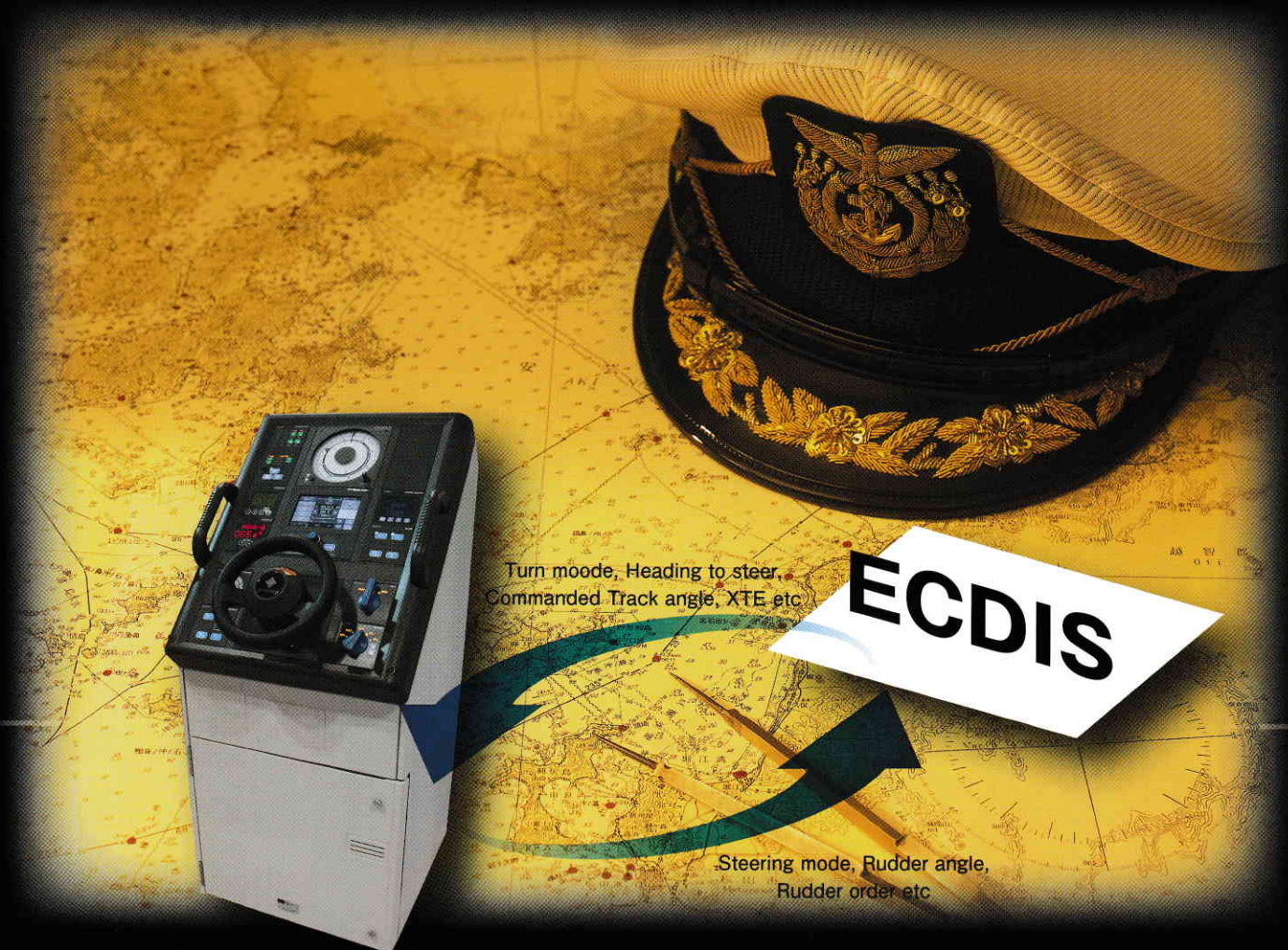
Course control (E-Course Pilot) *OPTION

Fuel saving effect is improved by incorporating control over the ground which reduces loss of track. Course control is available by changing the steering mode to "CRS" on the screen of APCDU.

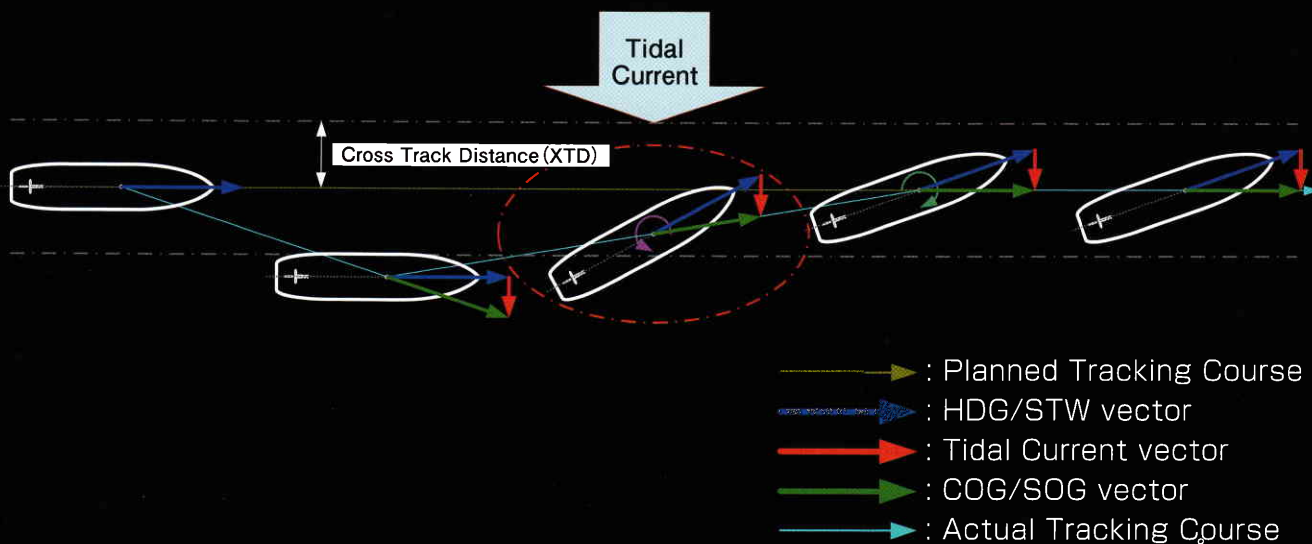


Track Control System *OPTION

PT900 can be interfaced with a number of partners' ECDIS, and provides Track Control System which contributes to ship's safety by compensating the drift caused by tide or wind and staying on the planned navigation route.



PT900 AutoPilot



PT900 component models

PT900□-□-□-□□

- Systems :
 1 : 1 system
 2 : 2 systems
- Steering gear
 S : single rudder
 T : twin rudders
- Type of steering gear control(□ = No. of pumps)
- N□ : Direct activation of solenoid valves on steering gear pump unit
 - N□F : Direct activation of solenoid valves on steering gear pump unit made by MITSUBISHI
 - J□ : Hydraulic power unit for MITSUBISHI JANNEY steering gear
 - H□ : Hydraulic power unit
 - K□T : Continuous control steering gear made by KAWASAKI HEAVY INDUSTRIES
 - Y□A : Torque motor control steering gear made by MITSUBISHI HEAVY INDUSTRIES
 - T□ : Continuous control steering gear made by HATLAPA
 - ANA□ : Analog control

System style

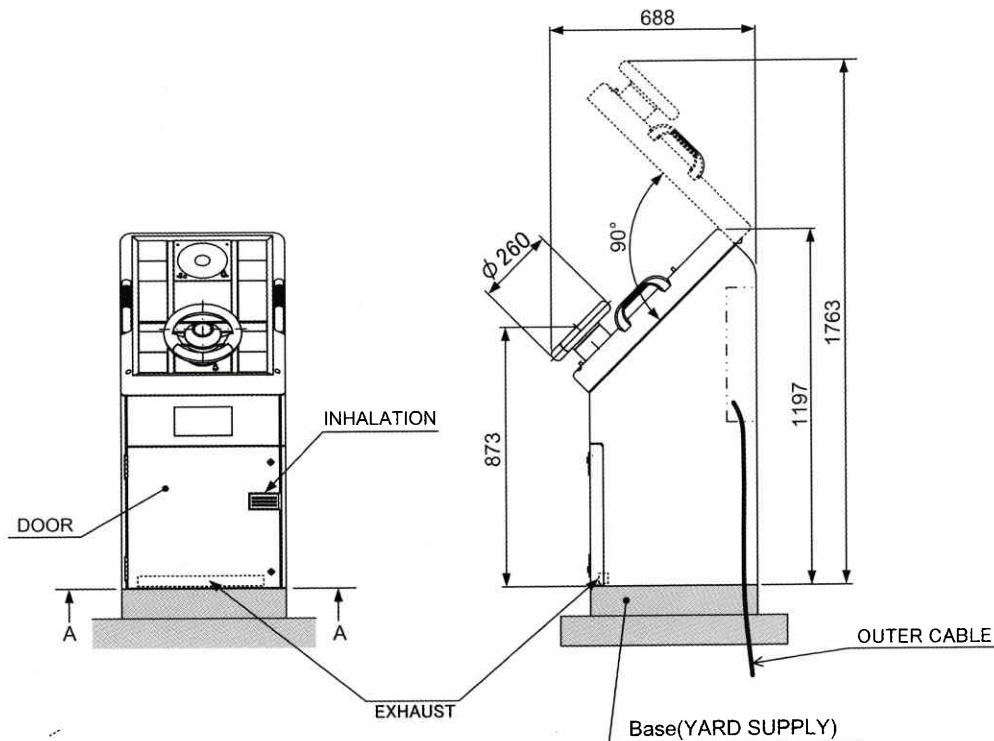
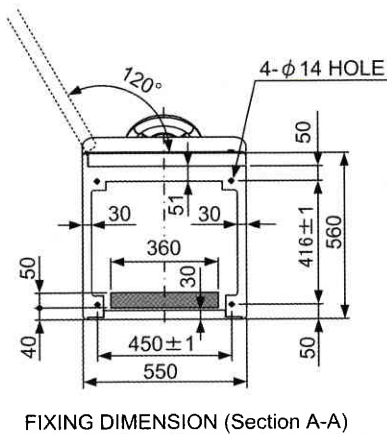
- S : Stand alone steering stand
- K : Stand built-in CMZ900 Gyro compass
- P : Panel mounting type (Console mounting type)
- Q : INS concept type (Control stand and Console mounting)

Control model

- A : PT900 Adaptive control type
- D : PT900 PID control type

FT900 Outline

MODEL	MPM190
MASS	100kg



YOKOGAWA



Yokogawa Denshikiki Co., Ltd.
 <URL : <http://www.yokogawa.com/ydk/>>

Marine Equipment Business Division

Address: Minami Shinjuku Hoshino Bldg.
 5-23-13 Sendagaya, Shibuya-ku, Tokyo, 151-0051 JAPAN

- International Sales Dept. Phone: (81) 3-3225-5383 FAX: (81) 3-3225-5316
- Service Dept. Phone: (81) 3-3225-5392 FAX: (81) 3-3225-5316
- Domestic Sales Dept. Phone: (81) 3-3225-5382 FAX: (81) 3-3225-5316
- Osaka Branch Phone: (81) 6-4706-8027 FAX: (81) 6-4706-8028
- Imabari Branch Phone: (81) 898-22-4559 FAX: (81) 898-33-2005
- Fukuoka Branch Phone: (81) 92-272-0954 FAX: (81) 92-272-0955

Represented by: