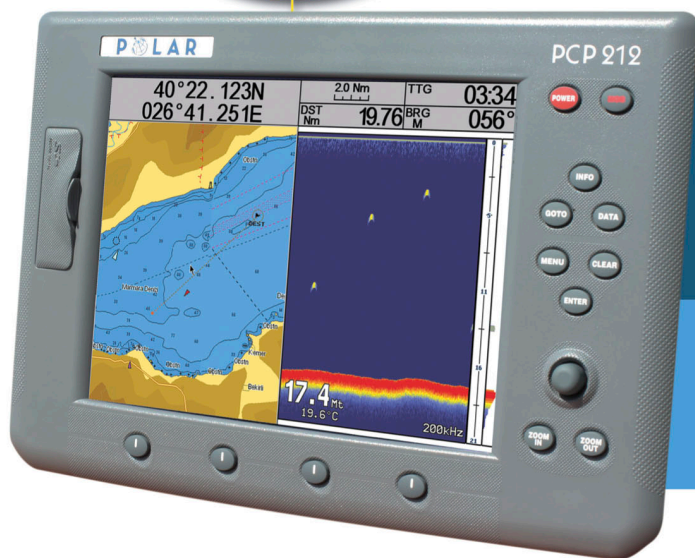


POLAR



PCP-212

MULTIFUNCTION COLOR PLOTTER

Split the screen in 2 or 4 window combination

10.4" WVGA Sunlight Viewable Display

Flush mounting aesthetics

Intuitive interface puts you in command

Performance, high quality and design are the main characteristics of POLAR products.



GPS Receiver

The impressive 16 channel PGR-101 GPS sensor provides sensitivity for signal acquisition, with incredible position accuracy, in a compact size that is flush mounted.



Auto Pilot

Via NMEA 0183 connection, PCP Series Chart Plotters are suitable with the best performing autopilots, which can be controlled like never before from the brilliant primary display.

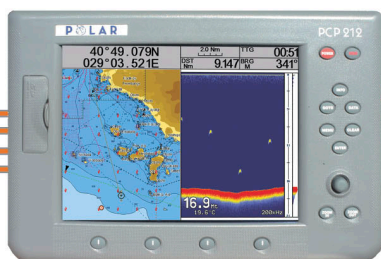


Radome Antenna

Once integrated with a radome radar, POLAR COMM Chart Plotter ensures exceptional detection of small or distant targets, visually eliminating screen clutter allowing a clear and accurate image.



Computer



PCP Series Chart Plotters with numerous optional input and output ports allow a wide range of combinations in a single navigation station and display various kinds of data with accuracy and in detail.



NMEA Repeater



Fishfinder Blackbox

800 x 600 pixels resolution provides picture perfect images of structure and fish directly below your boat.

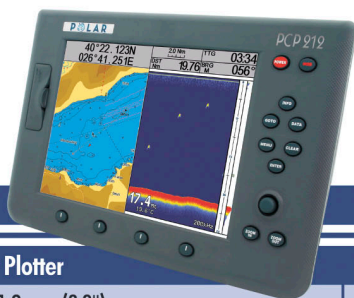


2nd Station

AIS Receiver

Integrate Class B AIS receiver to your chartplotter to see and to be seen. Overlay AIS-equipped vessel information on chart plotter for exceptional situational awareness.





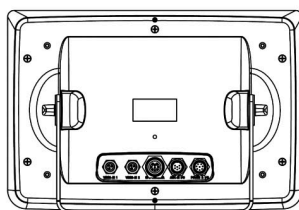
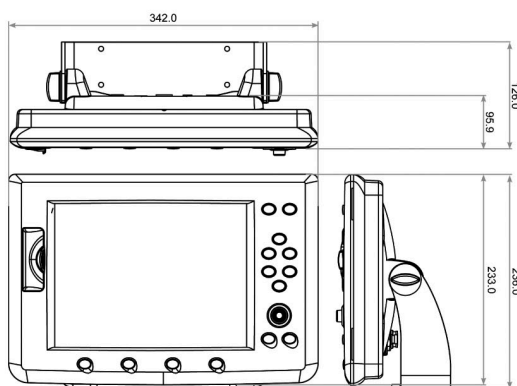
SPECIFICATIONS:

PCP-212 Multi-Function Color Plotter

Screen Size	: W 211.2 mm (8.3") H 158.4 mm (6.2") 800 X 600 pixels resolution
Dimensions	: L 236mm (9,29") W 342mm (13,46") H 95,8mm (3,78")
Cartography	: SD-CARD 5 I/O Ports (NMEA0183) External BBFF AIS 38400 2 Video Inputs 300 Mhz Microprocessor 10000 User Points 1 SD Slots
Type of User Points	: 16 Types & 8 Colors 50 Routes
Max User Points per Route	: 400 5 Tracks & 1000 Track points
Features	MOB, Grounding Alarm, Arrival Alarm, Depth Alarm, XTE Alarm, Anchor Alarm, User Points List page, Port & Tide Info, Automatic Info on Cartographic Objects, Navigation Info, Find Port, Find Wrecks, Find Obstructions, Find Tide Station, 3D Road Page, Time to Destination, Distance to Destination, Fuel Consumption, Compass Calibration, Wind Functions

PGR-101 GPS Sensor

Receiving Method and Frequency	: 16 channels parallel (up to 3 for WAAS Satellites) with 1575,42MHz (L1, C/A code)
Receiving Sensitivity	: Less than -134 dBm
Time to First Fix (TTFF) Warm Start	: 33 seconds (typical)
Time to First Fix (TTFF) Cold Start	: 40 seconds (typical)
Accuracy Position Less than 2,5mCEP1 5,0mSEP2	: GPS : (SA = OFF; HDOP < 4)
Accuracy Position Less than 2,0mCEP1 3,0mSEP2	: DGPS : (SA = OFF; HDOP < 4)
	Strong Signals ≤ 4 g Weak Signals typical 1 g 18000m Altitude 1850 Km/h (515 m/sec) Velocity
DGPS Format	: WAAS; EGNOS; MSAS
Output Format	: NMEA-0183 Baud rate 4800 N81
NMEA Output Messages	: GGA, RMC, GSA, GSV, TXT
Geodetic Datum	: WGS84
Operating Temperature	: from 0 °C to +60 °C
Storage Temperature	: from -20 °C to +85 °C
	95 % Non-Condensing Relative Humidity IPX7 Water Resistance
Height	: 97 x 32 mm (flush / pole / rail mounting)
Weight	: 160 grams (without cable)
	15 meter 8x28AWG Cable 10-35 Vdc Input Voltage
Power Consumption	: 0,8 W max
Electrical Interface	: TTL voltage levels, RS-232 polarity



The best possible solutions!...

POLAR offers you the best possible solutions in marine electronics, a combination of high performance, excessive quality, and aesthetics in design.

Contact POLAR technical support team 7/24 to get effective and responsive support you need.

pcservice@polarmarine.com

www.polarmarine.com

POLAR
POLAR COMM SRL

Address : Segrate(Mi) Via Morandi N 19 Cap 20090 Milano / Italy

Phone : +39 022 692 33 96 - +39 022 106 25 85

E-mail : pcservice@polarmarine.com

Web : www.polarmarine.com