

Echo Sounder

JFE-400/700



- Conforming to the IMO Resolution MSC.74(69) Annex 4
- Achieves extremely accurate and reliable sounding performance
- Use a highly visibility color touch panel LCD
- Memory and read-out up to 48 hours of depth data



JFE-400



JFE-700



Category

>300 GT



Deepsea



Workboats



RoRo/HSC

Features |

Both the JFE-400 and JFE-700 echo sounders continue the tradition of enhanced depth technology with highly accuracy and reliability.



History read-out

- Other ships interference prevention AUTO function
- Highly visibility color touch panel LCD
- 10.4-inch XGA high resolution LCD (JFE-700)
- 48 hours of depth data memorizing
- Echoes in 8 colors or 8 levels of monochrome
- Dual frequency display
- Separate model (JFE-400)
- All-in-one model (JFE-700)
- Optional printer (JFE-400)
- Built-in printer (JFE-700)

Interference prevention AUTO function |

JRC's new echo sounder is equipped with the AUTO function in the other ships interference prevention function. Optimal interference prevention processing works according to the usage conditions, it is possible prevent misidentification of interference waves emitted from other ships.

Display modes |

JRC's new echo sounders incorporates a 6.5-inch and 10.4-inch high visibility color touch panel LCD. The display modes allow you to select and view echoes in 8 colors or 8 levels of monochrome.



The separate model JFE-400 echo sounder incorporates printer adaptability.

*The table mount kit is optional.

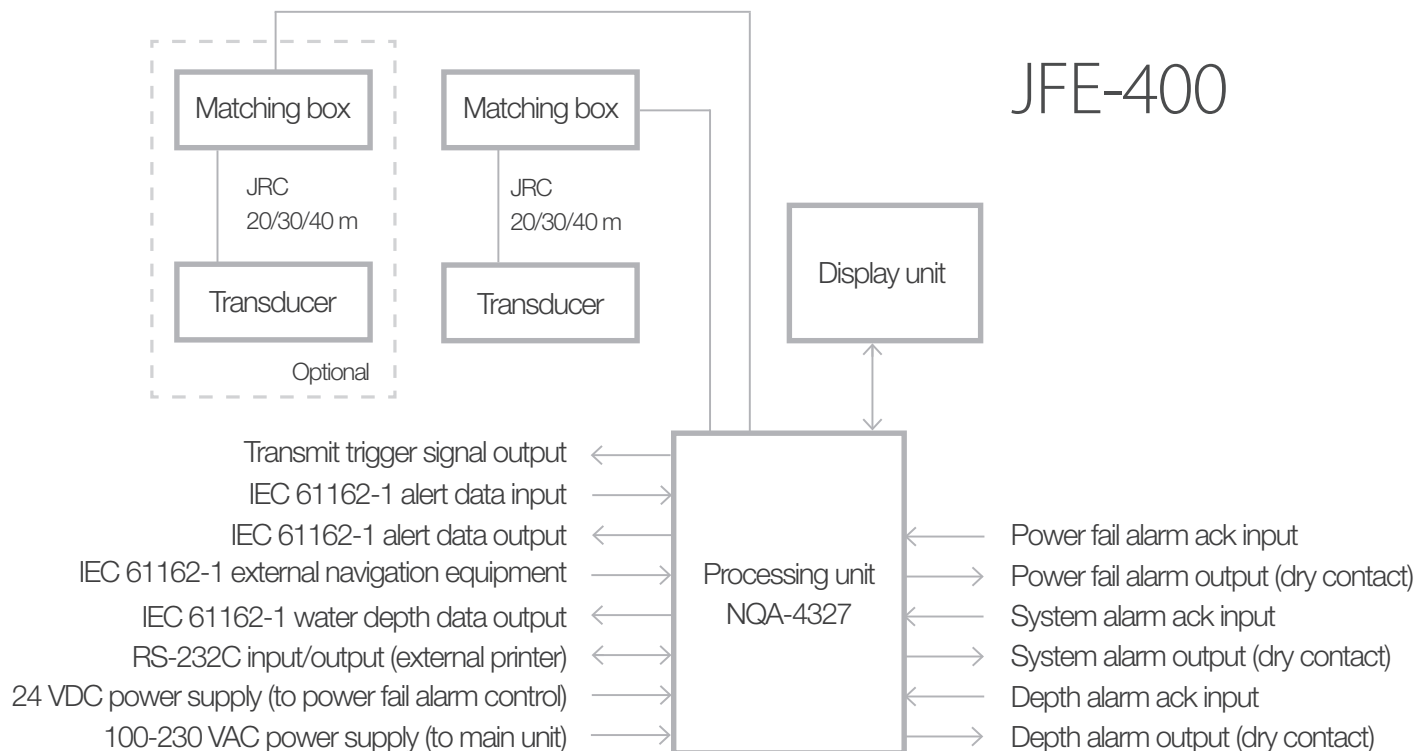


The all-in-one model JFE-700 features a built-in printer, providing the ship's log with valuable printouts if required.

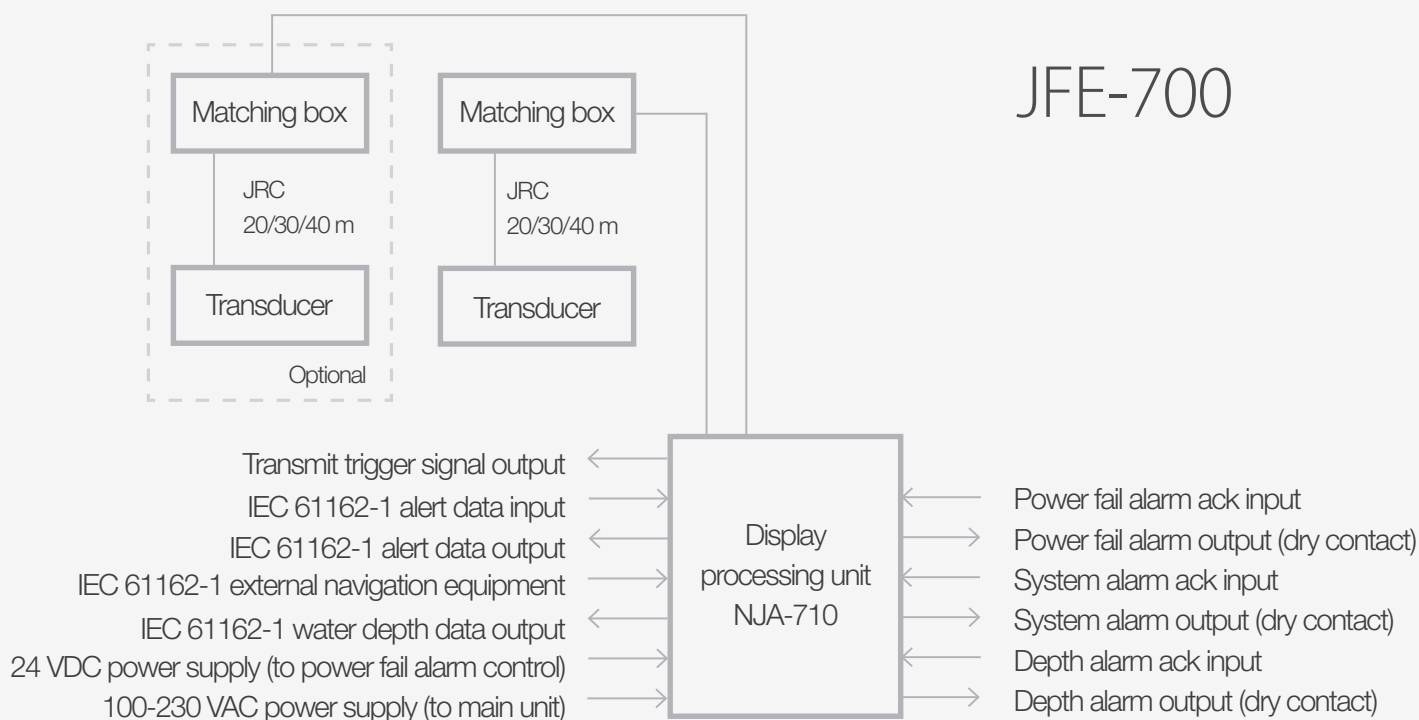
System diagrams |

The compact connection box can be installed out of sight. An optional dual frequency configuration, 50 kHz or 200 kHz, allows you to operate both frequencies independently or simultaneously, or allows you to have a separate bow-stern depth read-out.

JFE-400



JFE-700



In the box

- Display unit NWZ-1650 (JFE-400)
- Processing unit NQA-4327 (JFE-400)
- Display-LAN cable CFQ-7540 (JFE-400)
- Display processing unit NJA-710 (JFE-700)
- Matching box (primary) NQD-2597
NQD-2598

- Transducer (primary) NKF-349
NKF-350
- Spare parts 7ZXNA2012 (JFE-400)
7ZXNA2009 (JFE-700)
7ZPNA2051 (JFE-400)
7ZPNA2081 (JFE-700)

Optional

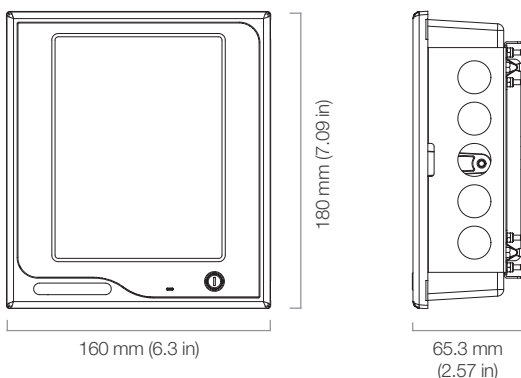
- Matching box (secondary) NQD-2597 AW-154F
NQD-2598 AW-154F-50
- Transducer (secondary) NKF-349 NKF-341
NKF-350 NKF-345
- Gate valve transducer NKF-394 G-002761
NKF-396 G-002762
G-002758 G-002763
G-002759 G-008791
G-002760 G-008792
- Junction box JB-340
- Output buffer NQA-4351

- Spare parts H-7ZXNA2009 (JFE-400)
H-7ZXNA2010
H-7ZXNA2011
- Remote display NWZ-4610
- Dimmer unit NCM-227
- AC power rectifier NBA-5143
- Printer NKG-901 (JFE-400)
- Printer wall mount bracket MPBP32159A (JFE-400)
- Printer cable 7ZCJD0254A (JFE-400)
7ZCJD0270B (JFE-400)
- Table mounting kit MPBX50347 (JFE-400)
- JFE-680 conversion flange BRBX05692 (JFE-700)

Tech Specs |

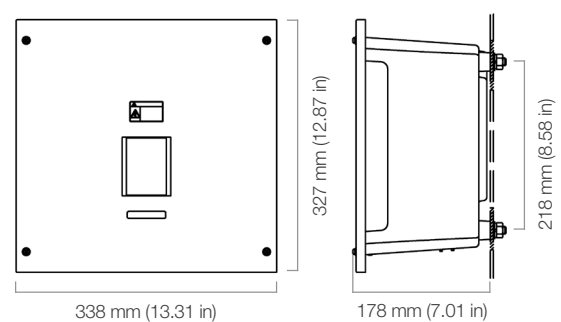
Display unit

NWZ-1650 Weight: Approx. 1.0 kg (2.20 lbs)



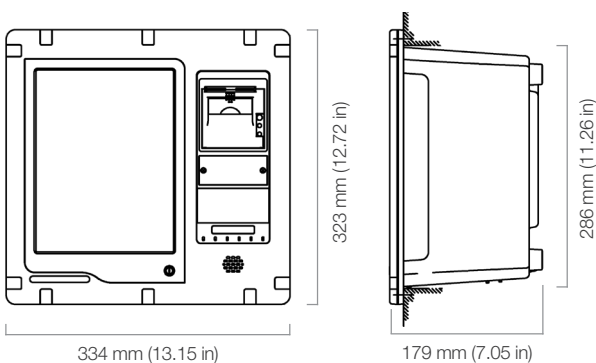
Processing unit

NQA-4327 Weight: Approx. 5.9 kg (13.01 lbs)



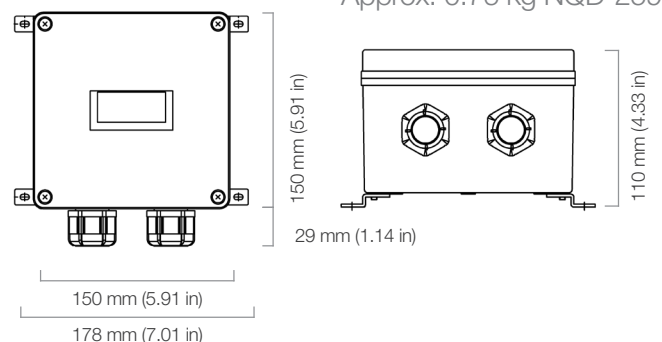
Display processing unit

NJA-710 Weight: Approx. 7.0 kg (15.43 lbs)



Matching box

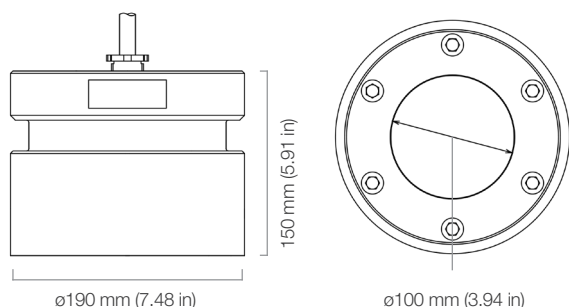
NQD-2597/2598 Weight: Approx. 0.87 kg NQD-2597
Approx. 0.76 kg NQD-2598



Transducer

NKF-349 (200 KHz) Weight 26 kg (57.32 lbs)

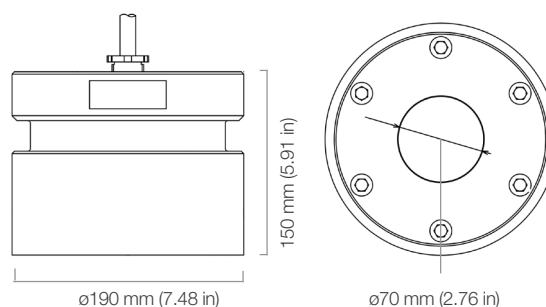
*excluding cable



Transducer

NKF-350 (50 KHz) Weight 26 kg (57.32 lbs)

*excluding cable



Specifications |

General	JFE-400	JFE-700
Display	6.5-inch LCD	10.4-inch LCD
Resolution	640×480 (VGA)	1024×768 (XGA)
Frequency	200 kHz/50 kHz	
Echo color	8 colors or 8 level monochrome	
Digital depth	3 digit	
Range scale	5, 10, 20, 50, 100, 200, 500, 800 m	
Depth accuracy	20 m range: ±0.5 m or less 200 m range: ±5 m or less or ±2.5 % of the indicated depth, whichever is greater	
Minimum sounding depth	200 kHz: 1.0 m 50 kHz: 2.0 m	
Draft adjust	50 m in 0.1 m steps	
TX pulse repetition rate	171PRP (5, 10, 20, 50 m) 86PRP (100, 200 m) 43PRP (500, 800 m)	
Presentation mode	Standard, history, docking	
Time range of echo display	5, 10, 20, 30 min	
Auto function	Gain, range, interference waves rejection from other ships at startup	
Alarm function	Depth, power fail, system error	
Preview function	3, 6, 12, 24, 48 hours or up to 48 hours	
Power supply	100-115/200-230 VAC±15 %, 50 Hz/60 Hz±5 % 24 VDC (only use for power fail monitoring)	
Power consumption	100 VAC: 140 VA 220 VAC: 200 VA 24 VDC: 0.8 W	100 VAC: 120 VA 220 VAC: 175 VA 24 VDC: 1.4 W
Operating temperature	-15°C to +55 °C	
Storage temperature	-25°C to +70 °C	
Relative humidity	93 % +40 °C	
Waterproofing	NWZ-1650: IP56 NQA-4327: floor mount: IP20/wall mount: IP22 NQD-2597/2598: IP55	NJA-710: flush mount: IP22/wall mount: IP22 NQD-2597/2598: IP55
RMS	Network/Serial data output support	
Network supported	Yes	
Interference waves rejection from other ships	Yes	
User Interface	Touch panel	
Printer	External printer (option)	Built-in printer
Depth data output	Serial: 4 ports, LAN: 2 ports	
BAM IF	Serial: 1 port, LAN: 2 ports	
Dry Contact	Input: 3 ports/output: 3 ports	



ALPHATRON
Marine



www.jrc-world.com

Centers of Excellence

JRC (Japan Radio Co.,Ltd)
1-7-32 Tatsumi, Koto-ku
Tokyo 135-0053
Japan
+81 3 5534 7800

JRC Shanghai Co.,Ltd.
Floor 9-A Building C2
Shanghai International Trade Center
1599 New Jinqiao Road
Pudong, Shanghai, China 201206
+86 21 2024 0607

JRC/ProNav AS
Hovlandsveien 52
4374 Egersund
Norway
+47 5146 4300

JRC/Alphatron Marine B.V.
Schaardijk 23
3063 NH Rotterdam
The Netherlands
+31 10 453 4000

JRC South East Asia
59 S, Tuas South Avenue
Ho Lee Industrial Development
637418 Singapore
Singapore
+65 6863 0335

JRC Americas
1205 Butler Road
TX 77573 Houston
United States of America
+1 281 271 4600